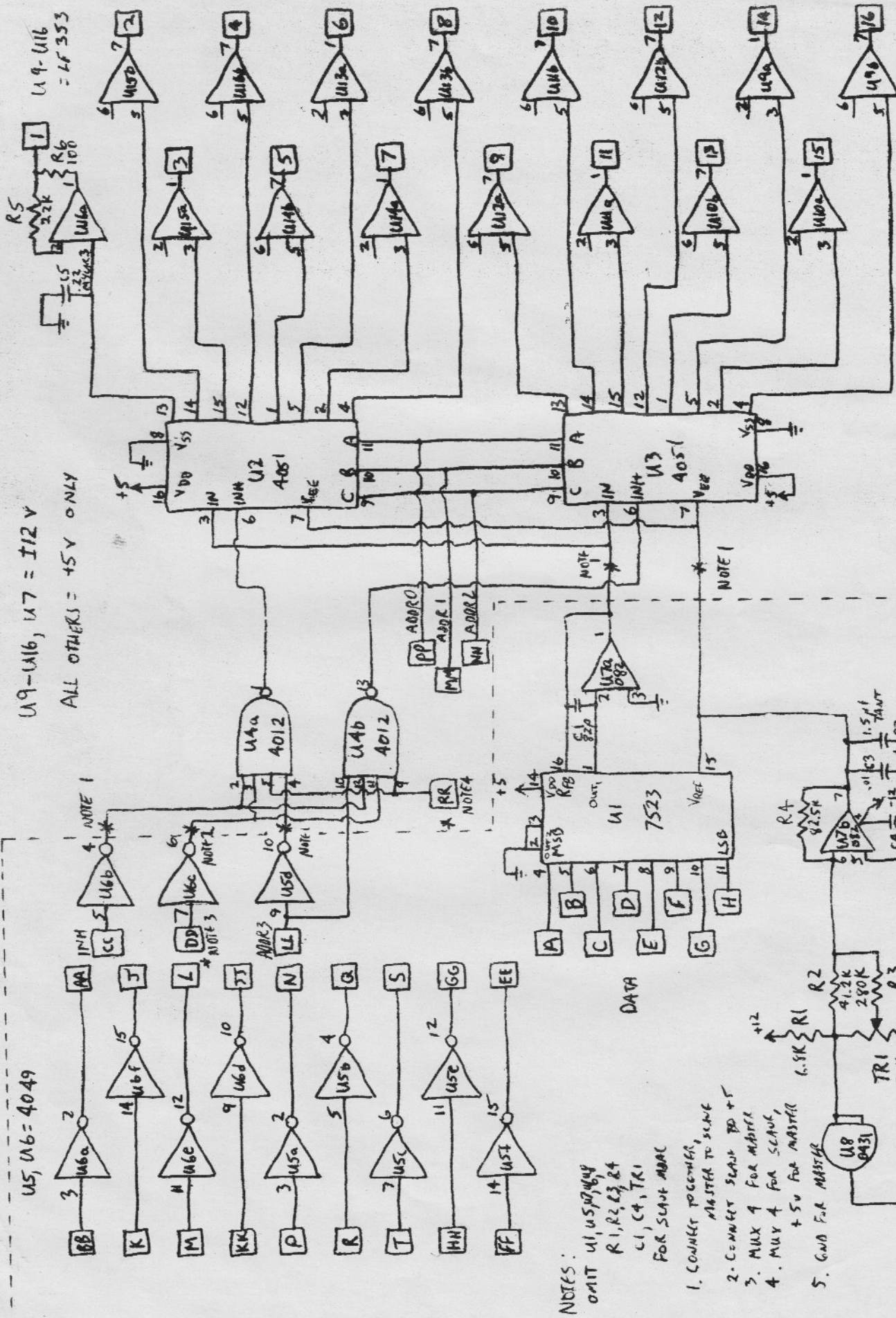


U9-U16, U7 = 112V

ALL OTHERS = +5V ONLY

U5, U6 = 4049



- NOTES:
1. Counter power, master to slave
 2. Counter slave to master
 3. MUX 4 for master
 4. MUX 4 for slave + 5v for master
 5. GND for master

MDAC 216

30 NOV 82

DRS/sms

REVISED FOR 1432 4 DIX 22 MAY 83

PARTS WITHIN
REPAIR OR
REPLACE
ONLY